

EL-TH-LED

LED elevated Runway Threshold Light- Airsafe



Airsafe

Contact details:



E-mail: aes@aes-europe.com



Phone Number:
+00376 665572



Compliance

- ICAO Annex. 14, Vol. I
- FAA AC 150/5345-46
- EB 67 D
- IEC-TS 61827
- EASA: CS-ADR-DSN
- STANAG 3316
- AENA PPT-015_06-12

Uses

LED elevated Runway threshold light for airports CAT I, II & III, according to ICAO Fig A2-1.

Features

- Robust base built on high strength aluminum alloy, anti-corrosion treatment and excellent thermal dissipation.
- Reduced height to minimize the jet blast impact.
- Stainless steel hardware to grant the waterproof and corrosion resistance.
- Glass diffuser with high resistance to the temperature and abrasion.
- Long-life and robust design to guarantee the waterproof of the equipment over the years.
- Integrated electronic encapsulated in epoxy resin.
- Compatible with existing serial circuits without need of changing the isolation transformers.
- Regulated light output.
- Optional "Fail Open" monitoring device and Artic Kit.
- Integrated surge protection.
- Efficient control of LEDs operating temperature, increasing the light life and avoiding color change.
- Saturated LED colors ensuring clear identification of the lights at all brightness levels and any viewing angle.
- The long-life of the equipments, with low maintenance and consumption, involve directly a reduction of operational costs.
- Optional anti-birds device available.

Specifications

- Power: 2.8A ~ 6.6A, according to FAA EB67D.
- Average life: minimum 60.000h at maximum brightness and 100.000h in a normal operating conditions.
- Color: Green.
- Consumption: 15VA. When Artic Kit on: 28VA.
- Index Protection: IP65.
- Installation 45W isolation transformer.

Contact details:



E-mail: aes@aes-europe.com



Phone Number:
+00376 665572



Order Code

EL-TH-LED-X-G-X

Type

EL-TH=elevated runway threshold light

Light source

LED=LED lamp

Beam direction

L = toe-in left

R = toe-in right

Beam color

G= Green

Optional function

M=single lamp fault detection function

A=Arctic kit

Installation

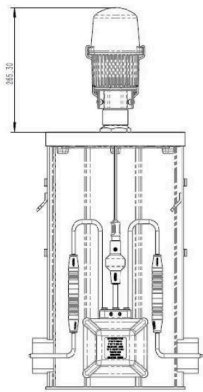


Fig 1. On 12" deep base.

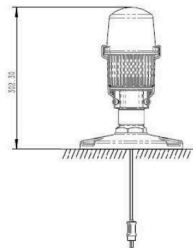


Fig 2. On flange

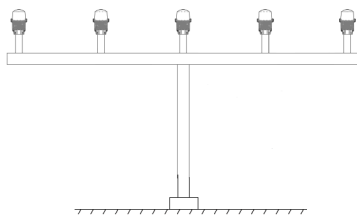
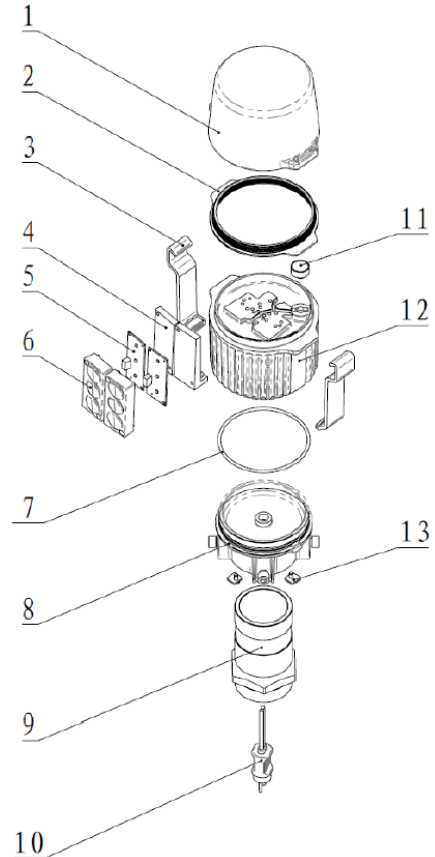


Fig 3. On approach mast.

Structure



- | | |
|----------------------------|-----------------------------------|
| 1. Lamp shade | 11. Horizontal level |
| 2. Light body gasket | 12. Light body assy (with driver) |
| 3. Hasp | 13. Square washer |
| 4. Lamp holder | |
| 5. LED lamp assy | |
| 6. Lens | |
| 7. Lighting fixture gasket | |
| 8. Light body support | |
| 9. Frangible coupling | |
| 10. A6 plug | |

Contact details:



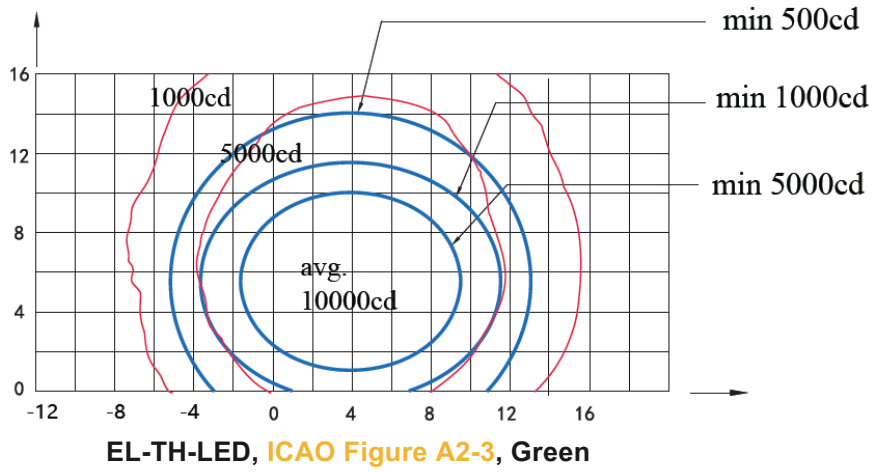
E-mail: aes@aes-europe.com



Phone Number:
+00376 665572



Photometry



Contact details:



E-mail: aes@aes-europe.com



Phone Number:
+00376 665572